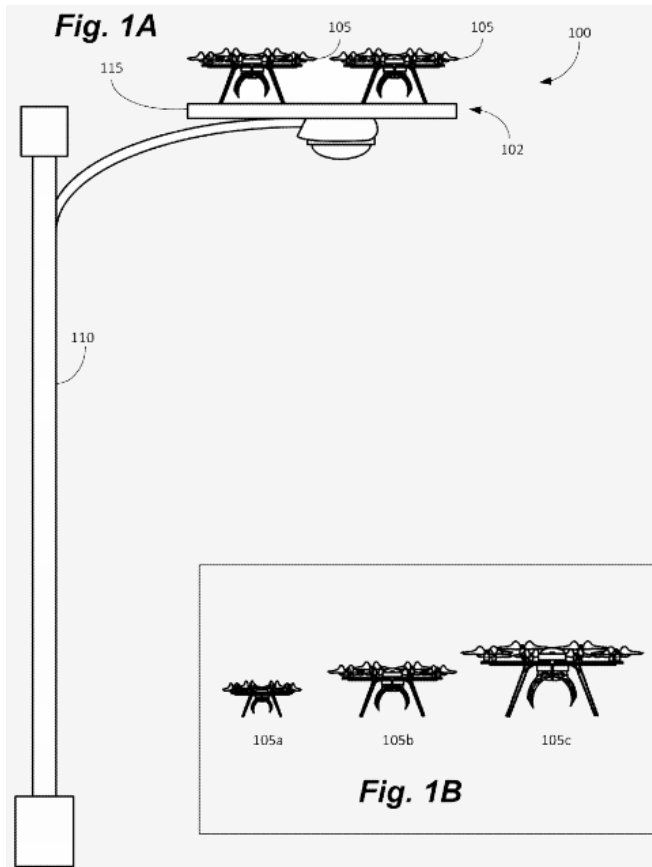


Amazon has bold and bright ideas for delivery rest stops for drones

21 July 2016, by Nancy Owano



According to the patent, the "use of UAVs for deliveries can reduce costs and increase speed and accuracy. The range provided by current UAV technology, however, makes deliveries over a wide area—e.g., throughout a city, or even a portion of a city—difficult."

The patent is titled "Multi-use UAV docking station systems and methods." It was filed in December 2014.

"With newer applications developed each day, drones are set to go a long a way and in some cases, [quite](#) literally," said *PatentYogi*.

Ben Woods in *WIRED.co.uk* on Wednesday said the station would not only serve up a recharging function but also be places to shelter drones in bad weather.

Interestingly, these recharging points would play several roles.

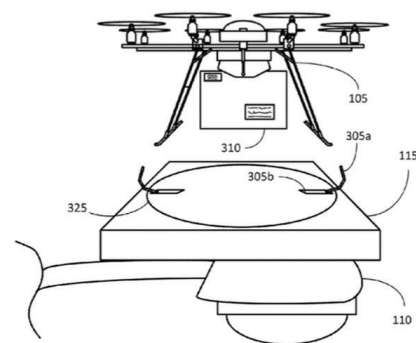
Woods explained that the concept involved a charging point reporting its position and any other relevant information. "For example," wrote Woods, "the next time a storm rolls in, the drone would automatically know to avoid the area and re-route."

Credit: United States Patent

(Tech Xplore)—Turn vertical city structures such as church spires and street lights into drone recharging points? *WIRED.co.uk* and a number of other sites are reporting that this is an idea from Amazon. The concept is all there in a patent discussion on how drones could be kept recharged while on the move.

The patent filing was eyed by *PatentYogi*, said reports.

The patent discussion states the drones-for-delivery challenge loud and clear.



Credit: United States Patent

And that is not all. the drone, while docked, could [pass](#) a package to another drone for delivery and pass on relevant data as well.

Here is how the patent discussion described the stations' roles: The unmanned aerial vehicles docking stations "may incorporate a number of features to enable UAVs to fly longer routes, to fly routes more accurately, and to provide shelter during adverse conditions. In some examples, the docking stations may also provide additional services to the communities in which they are installed. In some examples, the docking stations can also include various package handling abilities to facilitate package delivery. In some examples, the docking stations may be networked to provide central command and control for the UAVs."

Alfred Ng in *New York Daily News* said the docking stations on high spots around cities would function "like a post office in the [sky](#)."

The *PatentYogi* team, said Deepak Gupta in *TNW*, had selected the Amazon patent as one of five if the week's most interesting.

"The docking stations are deployed on light poles, cell phone towers, church steeples and pretty much any [structure](#) where you might expect to find a conventional birdhouse," wrote Gupta.

Gupta also commented, "Once this is rolled out, you may see drones perched on electric poles besides birds, just resting."

However, notice the word "may" in the above. Eugene Kim in *Business Insider UK* said, "Since these are patent filings, there's no guarantee that they'll turn into actual products. But it gives a glimpse into the future Amazon sees with its drone delivery [program](#)."

More information: United States Patent: [Multi-use UAV docking station systems and methods](#)

© 2016 Tech Xplore

APA citation: Amazon has bold and bright ideas for delivery rest stops for drones (2016, July 21)

retrieved 23 October 2020 from <https://techxplore.com/news/2016-07-amazon-bold-bright-ideas-delivery.html>

This document is subject to copyright. Apart from any fair dealing for the purpose of private study or research, no part may be reproduced without the written permission. The content is provided for information purposes only.